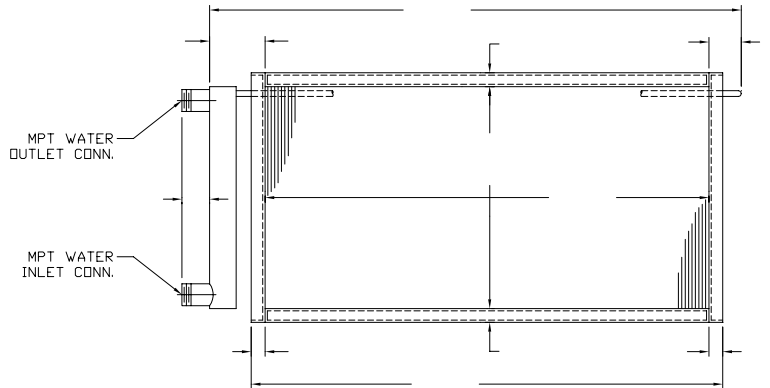
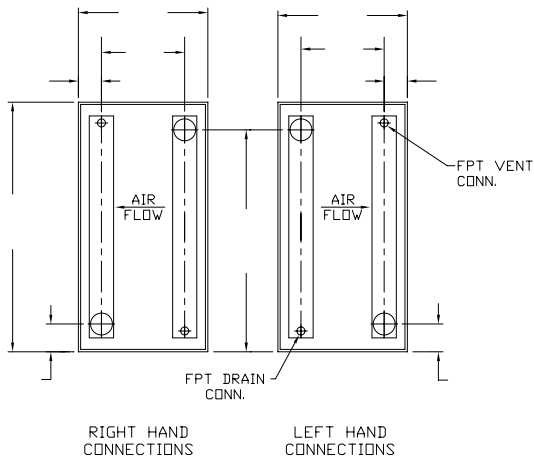
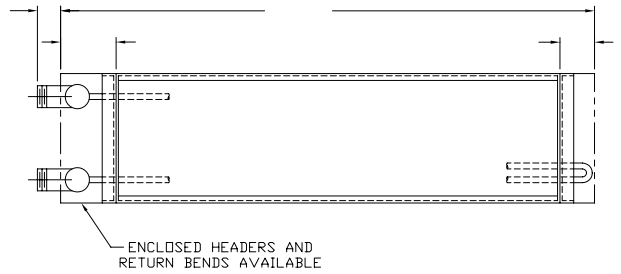


TUBING (MAT'L./SIZE) = _____ S.C.F.M. = _____
 FINS (MAT'L.) = _____ ENT.AIR TEMP. = _____ °DB / _____ °WB
 FINS PER INCH = _____ LVG.AIR TEMP. = _____ °DB / _____ °WB
 ROWS DEEP = _____ G.P.M. = _____
 (IN DIRECTION OF AIR FLOW) ENT.WATER TEMP. = _____ °F
 WATER CIRCUITS = _____ LVG.WATER TEMP. = _____ °F
 AIR FRICTION = _____ (IN INCHES OF WATER)
 W.P.D. = _____ (FT/HD)



			CUSTOMER ORDER NO.	ANDERSON SNOW SHOP ORDER NO.	DRAWN BY	TYPE "W" CHILLED WATER COIL FOR	
DATE	SYM.	REVISION RECORD	JOB NAME			ANDERSON-SNOW CORPORATION -SCHILLER PARK, ILLINOIS 60176-	
TEST PRESSURES						DRAWING NO. CAT.011	
PRELIMINARY AIR TEST		PSIG AIR UNDER WATER				ALL DIMENSIONS ARE ± 1/8"	
FINAL FAB AIR TEST		PSIG AIR UNDER WATER					
FINAL TEST PRESSURES		PSIG					
MAXIMUM OPERATING PRESSURE		PSIG					