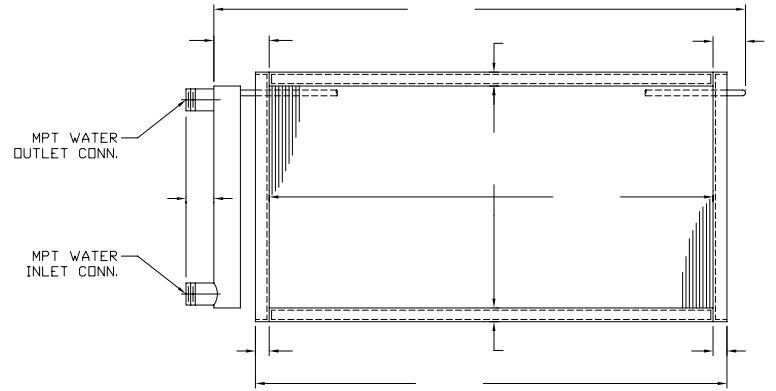
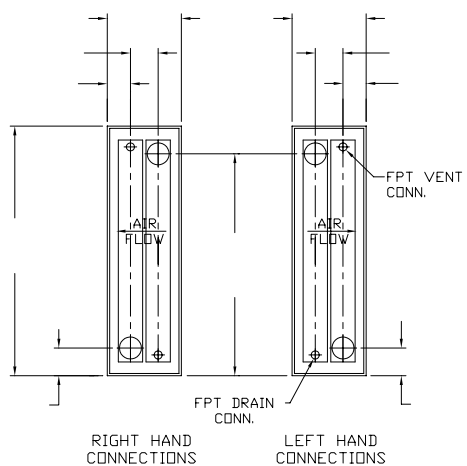
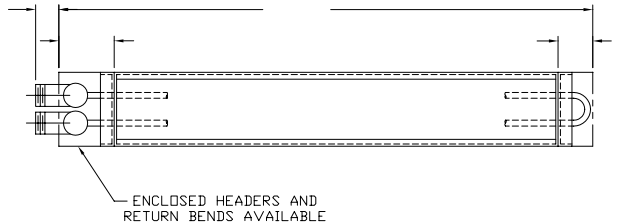


TUBING
(MAT'L./SIZE) = _____
 FINS
(MAT'L.) = _____
 FINS PER INCH = _____
 ROWS DEEP = _____
 (IN DIRECTION OF AIR FLOW)
 WATER CIRCUITS = _____

S.C.F.M. = _____
 ENT.AIR TEMP. = _____ °F
 LVG.AIR TEMP. = _____ °F
 G.P.M. = _____
 ENT.WATER TEMP. = _____ °F
 LVG.WATER TEMP. = _____ °F
 AIR FRICTION = _____
 (IN INCHES OF WATER)
 W.P.D. = _____ (FT/HD)



			CUSTOMER ORDER NO.	ANDERSON SNOW SHOP ORDER NO.	DRAWN BY	TYPE "W" HOT WATER COIL FOR	
DATE SYM. REVISION RECORD DR. CK.			JOB NAME			ANDERSON-SNOW CORPORATION -SCHILLER PARK, ILLINOIS 60176-	DRAWING NO. CAT.012
TEST PRESSURES						ALL DIMENSIONS ARE ± 1/8"	
PRELIMINARY AIR TEST			PSIG AIR UNDER WATER				
FINAL FAB AIR TEST			PSIG AIR UNDER WATER				
FINAL TEST PRESSURES			PSIG				
MAXIMUM OPERATING PRESSURE			PSIG °F				