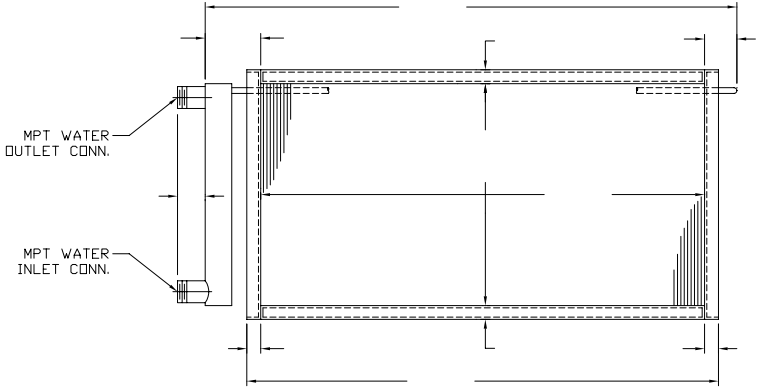
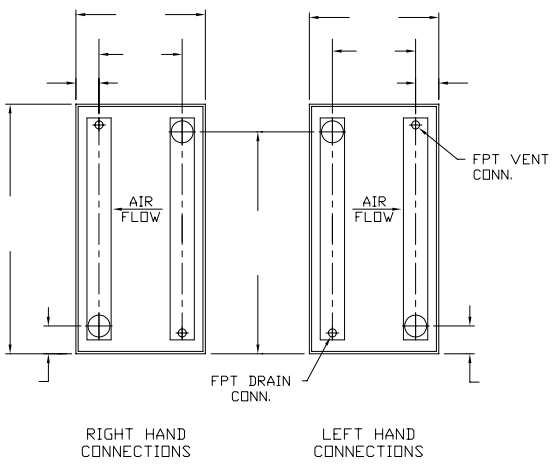
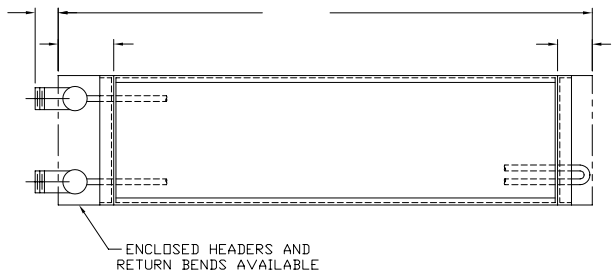


TUBING  
(MAT'L./SIZE) = \_\_\_\_\_  
 FINS  
(MAT'L.) = \_\_\_\_\_  
 FINS PER INCH = \_\_\_\_\_  
 ROWS DEEP = \_\_\_\_\_  
 (IN DIRECTION OF AIR FLOW)  
 GLYCOL = \_\_\_\_\_  
 (GLYCOL TYPE AND PERCENTAGE)  
 WATER/GLYCOL CIRCUITS = \_\_\_\_\_

S.C.F.M. = \_\_\_\_\_  
 ENT. AIR TEMP. = \_\_\_\_\_ °DB / \_\_\_\_\_ °WB  
 LVG. AIR TEMP. = \_\_\_\_\_ °DB / \_\_\_\_\_ °WB  
 G.P.M. = \_\_\_\_\_  
 ENT. SOLUTION TEMP. = \_\_\_\_\_ °F  
 LVG. SOLUTION TEMP. = \_\_\_\_\_ °F  
 AIR FRICTION = \_\_\_\_\_  
 (IN INCHES OF WATER)  
 W.P.D. = \_\_\_\_\_ (FT/HD)



				CUSTOMER ORDER NO.	ANDERSON SNOW SHOP ORDER NO.	DRAWN BY	TYPE "W" CHILLED GLYCOL COIL FOR	
DATE	SYM.	REVISION RECORD	DR.	CK.	JOB NAME		ANDERSON-SNOW CORPORATION -SCHILLER PARK, ILLINOIS 60176-	
TEST PRESSURES								DRAWING NO.
PRELIMINARY AIR TEST		PSIG	AIR UNDER WATER				CAT.013	
FINAL FAB AIR TEST		PSIG	AIR UNDER WATER				ALL DIMENSIONS ARE ± 1/8"	
FINAL TEST PRESSURES		PSIG						
MAXIMUM OPERATING PRESSURE		PSIG	°F					