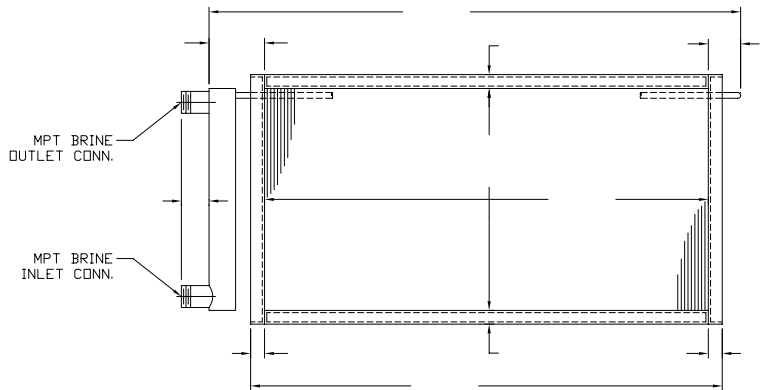
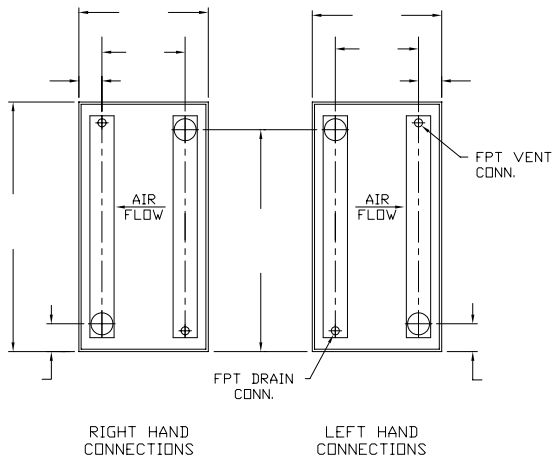
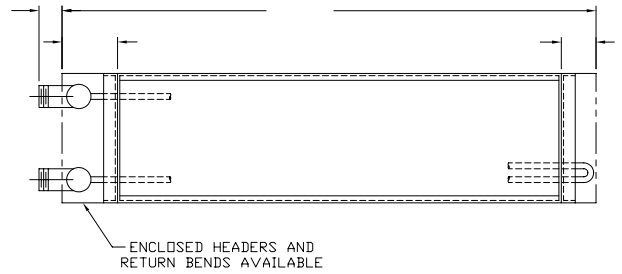


TUBING (MAT'L./SIZE) = \_\_\_\_\_ S.C.F.M. = \_\_\_\_\_  
 FINS (MAT'L.) = \_\_\_\_\_ ENT. AIR TEMP. = \_\_\_\_\_ °DB / \_\_\_\_\_ °WB  
 FINS PER INCH = \_\_\_\_\_ LVG. AIR TEMP. = \_\_\_\_\_ °DB / \_\_\_\_\_ °WB  
 ROWS DEEP = \_\_\_\_\_ G.P.M. = \_\_\_\_\_  
 (IN DIRECTION OF AIR FLOW) ENT. SOLUTION TEMP. = \_\_\_\_\_ °F  
 BRINE = \_\_\_\_\_ LVG. SOLUTION TEMP. = \_\_\_\_\_ °F  
 (BRINE TYPE AND PERCENTAGE) AIR FRICTION = \_\_\_\_\_ (IN INCHES OF WATER)  
 WATER/BRINE CIRCUITS = \_\_\_\_\_ W.P.D. = \_\_\_\_\_ (FT/HD)



			CUSTOMER ORDER NO.	ANDERSON SNOW SHOP ORDER NO.	DRAWN BY	TYPE "W" BRINE COOLING COIL FOR	
			JOB NAME			ANDERSON-SNOW CORPORATION -SCHILLER PARK, ILLINOIS 60176-	
DATE	SYM.	REVISION RECORD	DR.	CK.		DRAWING NO.	
TEST PRESSURES						CAT.020	
PRELIMINARY AIR TEST		PSIG	AIR UNDER WATER			ALL DIMENSIONS ARE ± 1/8"	
FINAL FAB AIR TEST		PSIG	AIR UNDER WATER				
FINAL TEST PRESSURES		PSIG					
MAXIMUM OPERATING PRESSURE		PSIG	°F				